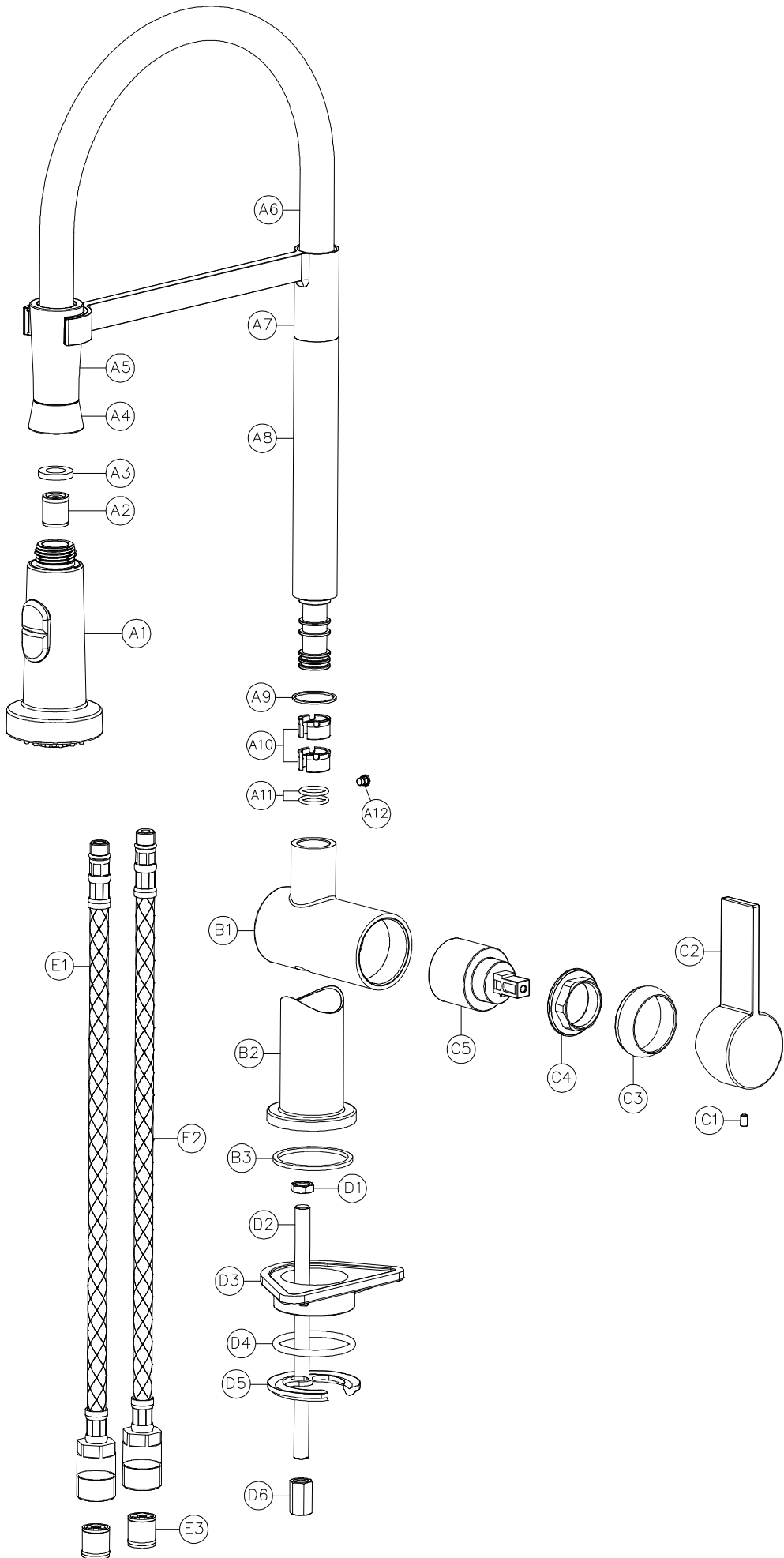


Ophelia Pull out Spray

abode



General Advice:

- These instructions are intended as a guide only, if you are in any doubt you should seek the advice of a qualified professional.
- Take care not to mark finished parts with screwdrivers or other tools.
- Use a pair of rubber gloves to get a better grip on decorative hand tight parts.
- Ensure all parts are reassembled tightly.
- After maintenance test that all assemblies are water tight and function correctly.
- Always isolate the hot and cold water supplies before starting any maintenance, once isolated you should drain any residual water from your system.

To replace the cold valve:

1. Loosen grub screw (C1) on the underside of handle (C2) using a 2.0mm A/F allen key.
2. Pull the handle (C2) horizontally away from the tap body (B1).
3. Unscrew decorative cover (C3) and pull horizontally away from tap body (B1) by hand.
4. With the tap (B1) fixed to the sink/base unit, using an adjustable spanner unscrew the valve lock nut (C4).
5. Clean the Inside of chamber (B1) with a soft wet cloth.
6. Replace the faulty valve (C5) with the new one and assemble in reverse order.

To replace the spout O-rings:

1. Loosen grub screw (A12) on the rear of body (B1) using a 2.5mm A/F allen key.
2. Pull the spout (A8) vertically away from the body (B1).
3. Remove the old O-rings (A11) using a small screwdriver or similar.
4. If worn, remove the PTFE spacers (A9 & A10).
5. Ensure the inside of the body (B1) and the spout base is clean of dirt and grit with a soft wet cloth.
6. If required locate the new white PTFE spacers (A9 & A10).
7. Carefully locate the new O-rings (A11) onto the spout base (A8).
8. Grease the O-rings thoroughly with silicone or alternative similar grease.
9. Reassemble the tap in the reverse order.